

Specifications:

| | |
|-------------------------|-----------------------------------|
| Sound level Category | Medium Sound Level |
| Mode of Operation | Slow Pulse |
| Mounting | Panel (see note B) |
| Voltage Rating | 6 to 28 Vdc |
| Frequency Range | 1900 Hz ±300 Hz |
| Loudness (Min. Voltage) | 60 dB(A) min. @ 2 FT and 6 Vdc |
| Loudness (Max Voltage) | 75 dB(A) min. @ 2FT and 28 Vdc |
| Current Draw | 5 mA Max @ 6 Vdc |
| Current Draw | 23 mA Max @ 28 Vdc |
| Min Pulse Rate (PPS) | 0.5 @ 6Vdc |
| Max Pulse Rate (PPS) | 2.0 @ 28Vdc |
| Duty Cycle (%) | 50 (Approx) |
| Storage Temperature | -40°C to +85°C |
| Operating Temperature | -30°C to +65°C |
| Weight (Typical) | 2.1 oz (59 g) |
| Housing | 6/6 Nylon, Color Black |
| Options | For other options contact factory |

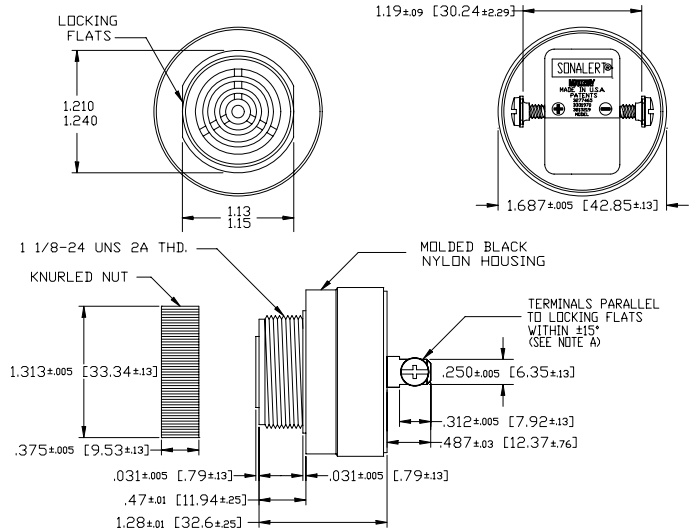
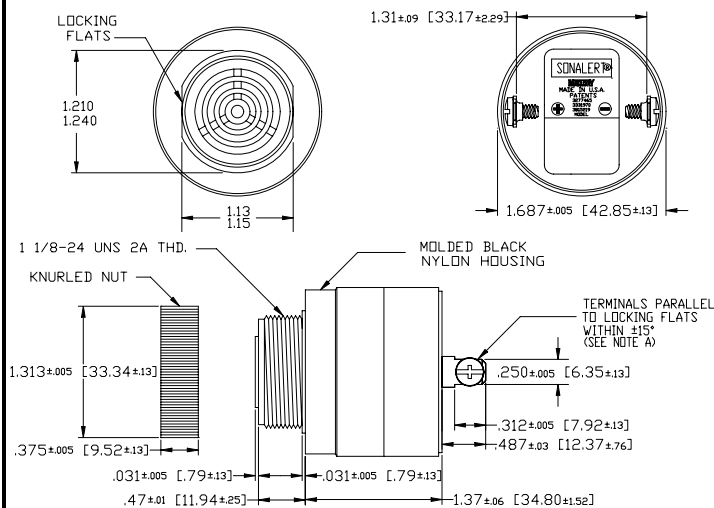
Dimensions: Inches (mm)

UL Recognized 

RoHS Compliant

PART DIMENSIONS BEFORE CODE DATE 0824 5

PART DIMENSIONS AFTER CODE DATE 0825 1



NOTE A: TERMINALS-.032 BRASS TIN PLATED, TAPPED FOR #6-32 SCREW. TWO #6-32 NICKEL PLATED BRASS SCREWS INCLUDED. WILL ACCEPT 1/4" QUICK CONNECT.

NOTE B: MOUNTING- REMOVE BLACK PLASTIC NUT AND INSERT THREADED FRONT THROUGH 1/25" HOLE PUNCHED IN PANEL. IF ORIENTATION IS NEEDED, NOTE LOCKING FLATS ON DRAWING. SCREW NUT- BACK ON. DO NOT OVERTIGHTEN.

NOTE A: TERMINALS-.032 BRASS TIN PLATED, TAPPED FOR #6-32 SCREW. TWO #6-32 NICKEL PLATED BRASS SCREWS INCLUDED. WILL ACCEPT 1/4" QUICK CONNECT.

NOTE B: MOUNTING- REMOVE BLACK PLASTIC NUT AND INSERT THREADED FRONT THROUGH 1/25" HOLE PUNCHED IN PANEL. IF ORIENTATION IS NEEDED, NOTE LOCKING FLATS ON DRAWING. SCREW NUT- BACK ON. DO NOT OVERTIGHTEN.